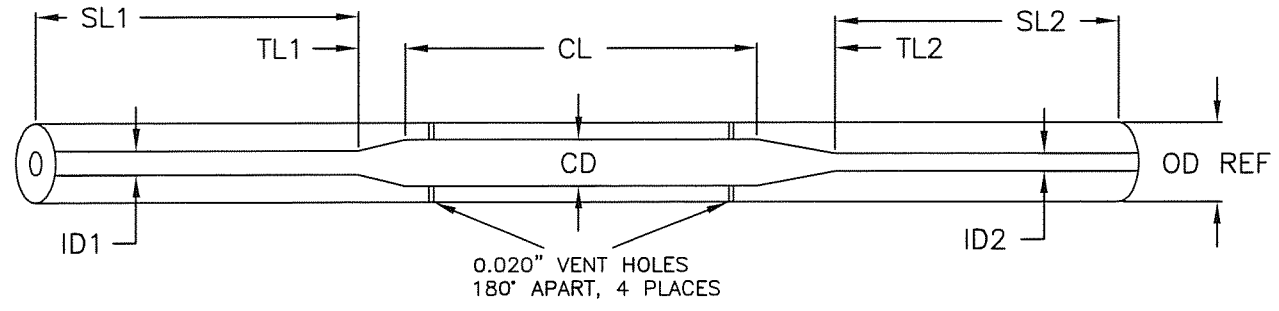


REVISIONS				
NO	REV	DESCRIPTION	DATE	APPROVED
00	A	STANDARD MOLD	1-11-06	EH
01	A1	STANDARD FREE BLOWN MOLD	1-16-06	EH
02	A2	REF OD, FLR PRXL and DSTIL	1-23-06	EH



DIMENSIONS AND TOLERANCES					
CD	$\pm 0.0005''$	$\pm 0.0127\text{mm}$	SL2	$\pm 0.100''$	$\pm 2.54\text{mm}$
CL	$\pm 0.010''$	$\pm 0.254\text{mm}$	ID1	$\pm 0.0005''$	$\pm 0.0127\text{mm}$
TL1	$\pm 0.010''$	$\pm 0.254\text{mm}$	ID2	$\pm 0.0005''$	$\pm 0.0127\text{mm}$
TL2	$\pm 0.010''$	$\pm 0.254\text{mm}$	OD	REFERENCE	REFERENCE
SL1	$\pm 0.100''$	$\pm 2.54\text{mm}$	VENT HOLES Y N		
FLARE PROXIMAL Y N		FLARE DISTAL Y N		LABEL AS: _____	

NOTES, UNLESS OTHERWISE SPECIFIED:
 1. BREAK AND DEBUR ALL SHARP EDGES
 2. MATERIAL: BOROSILICATE

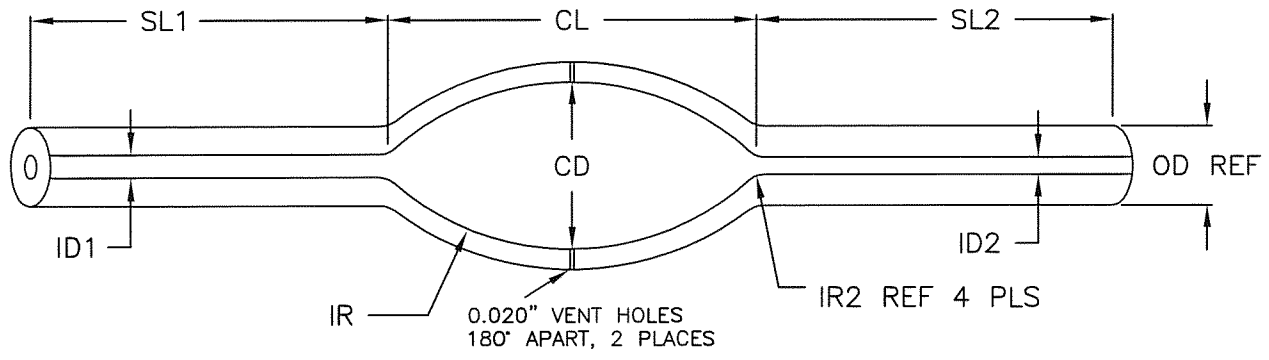
CONFIDENTIAL
 THIS DOCUMENT SHALL NOT BE DUPLICATED, USED FOR ANY PURPOSE OTHER THAN FOR WHICH PROVIDED OR DISCLOSED, IN WHOLE OR IN PART, WITHOUT THE PRIOR WRITTEN CONSENT OF FARLOW'S SCIENTIFIC GLASSBLOWING, INC.

UNLESS OTHERWISE SPECIFIED DIMENSIONS ARE IN INCHES
 TOLERANCES
 DECIMAL .XX $\pm .020$ ANGULAR $\pm 0'-2'$
 .XXX $\pm .010$
 INTERPRET DIM AND TOL PER ASME Y14.5M - 1982

DRAWN BY:
ERIC HASSUR 1-13-06
 CHECKED BY:
 FSG #:
 PO #:
 Date:

NO.	PART NAME	REQD	MATERIAL
	FARLOW'S SCIENTIFIC GLASSBLOWING, INC.		200 Litton Dr. Suite 234 Grass Valley, CA. 95945 Office (530)4775513
TITLE FSG MOLDS STANDARD FREE BLOWN MOLD			
SIZE A	FSCM NO.	DWG. NO. CAT P51-0001-01 STD	REV. A2
SCALE 1:1	WEIGHT	SHEET	

REVISIONS				
NO	REV	DESCRIPTION	DATE	APPROVED
00	A	ELLIPTICAL MOLD	1-13-06	EH
01	A1	ADDED IR2 REF 4 PLS	1-17-06	EH
02	A2	REF OD, FLARE PRXL and DISTL	1-23-06	EH



DIMENSIONS AND TOLERANCES					
CD	±0.001"	±0.0254mm	SL2	±0.100"	±2.54mm
CL	±0.010"	±0.254mm	ID1	±0.0005"	±0.0127mm
IR	±0.001"	±0.0254mm	ID2	±0.0005"	±0.0127mm
SL1	±0.100"	±2.54mm	OD	REFERENCE	REFERENCE
FLARE PROXIMAL Y N			FLARE DISTAL Y N		
VENT HOLES Y-N			LABEL AS: _____		

NOTES, UNLESS OTHERWISE SPECIFIED:
 1. BREAK AND DEBUR ALL SHARP EDGES
 2. MATERIAL: BOROSILICATE

CONFIDENTIAL
 THIS DOCUMENT SHALL NOT BE DUPLICATED, USED FOR ANY PURPOSE OTHER THAN FOR WHICH PROVIDED OR DISCLOSED, IN WHOLE OR IN PART, WITHOUT THE PRIOR WRITTEN CONSENT OF FARLOW'S SCIENTIFIC GLASSBLOWING, INC.

UNLESS OTHERWISE SPECIFIED DIMENSIONS ARE IN INCHES
 TOLERANCES
 DECIMAL ANGULAR
 .XX ± .020 ± 0°-2"
 .XXX ± .010
 INTERPRET DIM AND TOL PER
 ASME Y14.5M - 1982

DRAWN BY:
ERIC HASSUR 1-13-06

CHECKED BY:

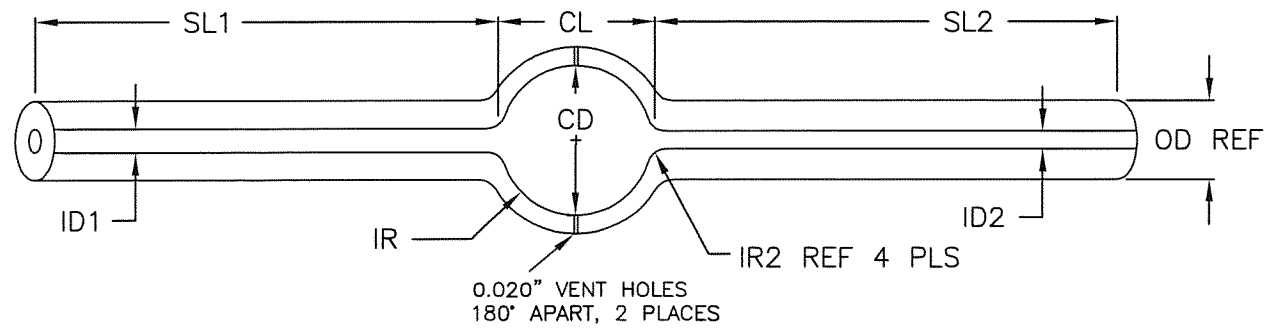
FSG #:

PO #:

Date:

NO.	PART NAME	REQD MATERIAL
	FARLOW'S SCIENTIFIC GLASSBLOWING, INC.	200 Litton Dr. Suite 234 Grass Valley, CA. 95945 Office (530)4775513
TITLE FSG MOLDS ELLIPTICAL MOLD		
SIZE A	FSCM NO.	DWG. NO. CAT P51-0004-01 ELLIP
SCALE 1:1	WEIGHT	SHEET
		REV A2

REVISIONS				
NO	REV	DESCRIPTION	DATE	APPROVED
00	A	ROUND MOLD	1-13-06	EH
01	A1	ADDED IR2 REF 4 PLS	1-17-06	EH
02	A2	REF OD, FLARE PRXL and DSTL	1-23-06	EH




DIMENSIONS AND TOLERANCES					
CD	±0.001"	±0.0254mm	SL2	±0.100"	±2.54mm
CL	±0.010"	±0.254mm	ID1	±0.0005"	±0.0127mm
IR	±0.001"	±0.0254mm	ID2	±0.0005"	±0.0127mm
SL1	±0.100"	±2.54mm	OD	REFERENCE	REFERENCE
FLARE PROXIMAL Y N			FLARE DISTAL Y N		
VENT HOLES Y-N			LABEL AS: _____		

NOTES, UNLESS OTHERWISE SPECIFIED:
 1. BREAK AND DEBUR ALL SHARP EDGES
 2. MATERIAL: BOROSILICATE

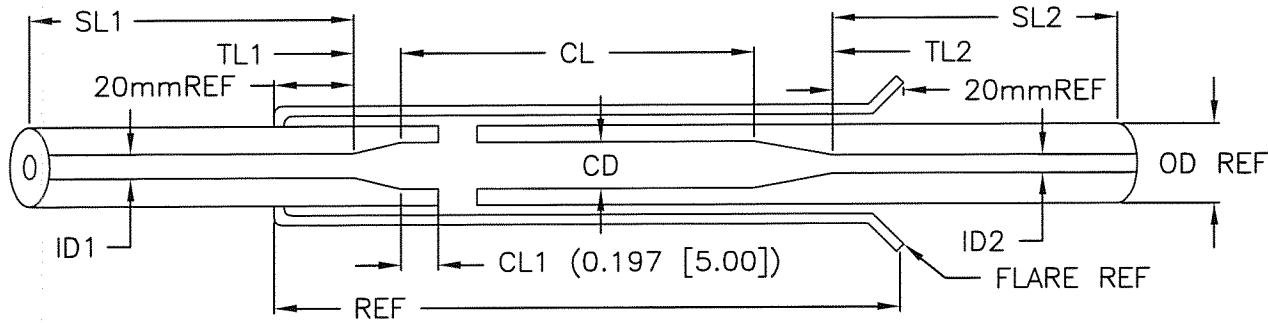
CONFIDENTIAL
 THIS DOCUMENT SHALL NOT BE DUPLICATED, USED FOR ANY PURPOSE OTHER THAN FOR WHICH PROVIDED OR DISCLOSED, IN WHOLE OR IN PART, WITHOUT THE PRIOR WRITTEN CONSENT OF FARLOW'S SCIENTIFIC GLASSBLOWING, INC.

UNLESS OTHERWISE SPECIFIED DIMENSIONS ARE IN INCHES
 TOLERANCES
 DECIMAL ANGULAR
 .XX ± .020 ± 0°-2'
 .XXX ± .010
 INTERPRET DIM AND TOL PER
 ASME Y14.5M - 1982

DRAWN BY:
ERIC HASSUR 1-13-06
 CHECKED BY:
 FSG #:
 PO #:
 Date:

NO.	PART NAME	REQD	MATERIAL
	FARLOW'S SCIENTIFIC GLASSBLOWING, INC.		200 Litton Dr. Suite 234 Grass Valley, CA. 95945 Office (530)4775513
			
TITLE FSG MOLDS ROUND MOLD			
SIZE A	FSCM NO.	DWG. NO. CAT P51-0003-01 ROUND	REV. A2
SCALE 1:1		WEIGHT	SHEET

REVISIONS				
NO	REV	DESCRIPTION	DATE	APPROVED
00	A	END SPLIT MOLD	1-11-06	FH
01	A1	ADDED EPS EXPORT LAYER	1-11-06	FH
02	A2	REF FLR ADDED CL1 TO PROXYL	1-16-06	FH
03	A3	REF OD, FLR PROXL and DISTL	1-23-06	FH



DIMENSIONS AND TOLERANCES				
CD	±0.0005"	±0.0127mm	SL2	±0.100" ±2.54mm
CL	±0.010"	±0.254mm	ID1	±0.0005" ±0.0127mm
TL1	±0.010"	±0.254mm	ID2	±0.0005" ±0.0127mm
TL2	±0.010"	±0.254mm	OD	REFERENCE REFERENCE
SL1	±0.100"	±2.54mm	FLARE DISTAL Y N	
FLARE PROXIMAL Y N			LABEL AS: _____	

NOTES, UNLESS OTHERWISE SPECIFIED:
 1. BREAK AND DEBUR ALL SHARP EDGES
 2. MATERIAL: BOROSILICATE


DRAWN BY:
ERIC HASSUR 1-11-06

CHECKED BY:

FSG #:

PO #:

Date:

NO.	PART NAME	REQD	MATERIAL
	FARLOW'S SCIENTIFIC GLASSBLOWING, INC.		200 Litton Dr. Suite 234 Grass Valley, CA. 95945 Office (530)4775513
			
TITLE FSG MOLDS SINGLE END-SPLIT MOLD			
SIZE A	FSCM NO.	DWG. NO. CAT P51-0002-01 END SPLIT	REV. A3
SCALE 1:1	WEIGHT	SHEET	

CONFIDENTIAL

THIS DOCUMENT SHALL NOT BE DUPLICATED, USED FOR ANY PURPOSE OTHER THAN FOR WHICH PROVIDED OR DISCLOSED, IN WHOLE OR IN PART, WITHOUT THE PRIOR WRITTEN CONSENT OF FARLOW'S SCIENTIFIC GLASSBLOWING, INC.

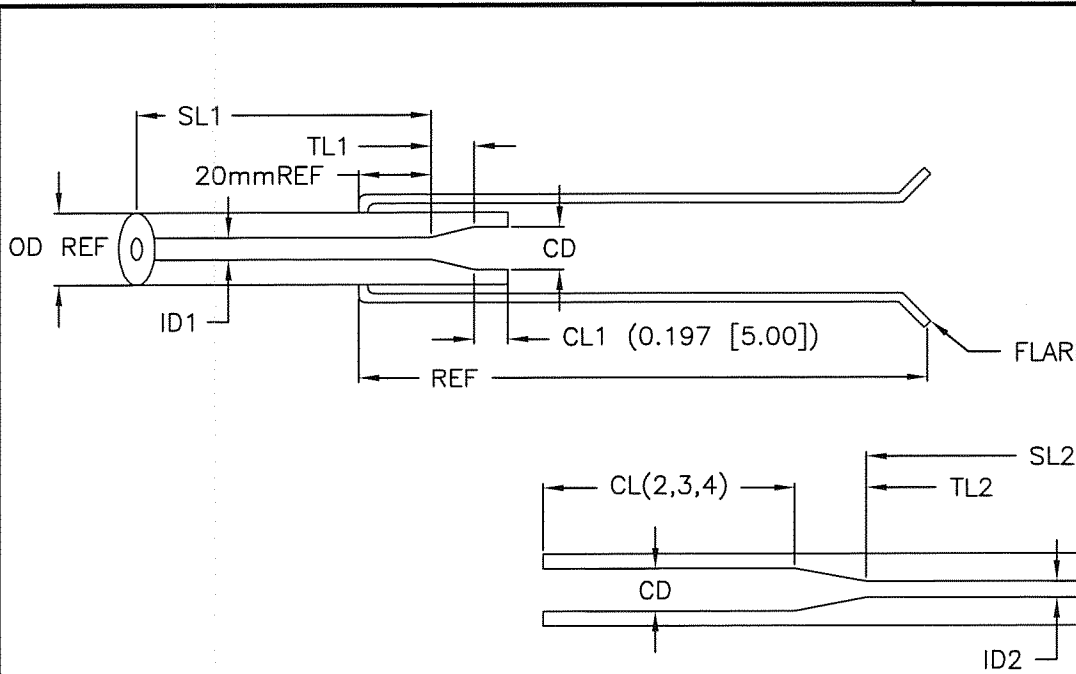
UNLESS OTHERWISE SPECIFIED DIMENSIONS ARE IN INCHES

TOLERANCES

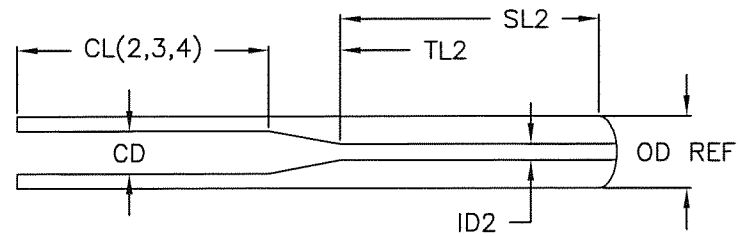
DECIMAL .XX ± .020 ± 0'-2"

.XXX ± .010

INTERPRET DIM AND TOL PER ASME Y14.5M - 1982



REVISIONS				
NO	REV	DESCRIPTION	DATE	APPROVED
00	A	INTCHG WRK LEN SPLIT MOLD	1-17-06	EH
01	A1	REF OD, FLARE PRXL and DSTL	1-23-08	EH



DIMENSIONS AND TOLERANCES				
CD	±0.0005"	±0.0127mm	SL2	±0.100" ±2.54mm
TL1	±0.010"	±0.254mm	ID1	±0.0005" ±0.0127mm
TL2	±0.010"	±0.254mm	ID2	±0.0005" ±0.0127mm
SL1	±0.100"	±2.54mm	OD	REFERENCE REFERENCE
CL2	±0.010"	±0.254mm	FLARE PROXIMAL Y N	
CL3	±0.010"	±0.254mm	FLARE DISTAL Y N	
CL4	±0.010"	±0.254mm	LABEL AS: _____	

NOTES, UNLESS OTHERWISE SPECIFIED:
 1. BREAK AND DEBUR ALL SHARP EDGES
 2. MATERIAL: BOROSILICATE

DRAWN BY:
ERIC HASSUR 1-17-06
 CHECKED BY:
 FSG #:
 PO #:
 Date:

NO.	PART NAME	REQD	MATERIAL
	FARLOW'S SCIENTIFIC GLASSBLOWING, INC.		
	200 Litton Dr. Suite 234 Grass Valley, CA. 95945 Office (530)4775513		
	TITLE FSG MOLDS INTERCHANGEABLE WORKING LENGTH SPLIT MOLD		
SIZE	FSCM NO.	DWG. NO.	REV.
A		CAT P51-0005-01 INTCHG WRK	A1
SCALE	1:1	WEIGHT	SHEET

CONFIDENTIAL
 THIS DOCUMENT SHALL NOT BE DUPLICATED, USED FOR ANY PURPOSE OTHER THAN FOR WHICH PROVIDED OR DISCLOSED, IN WHOLE OR IN PART, WITHOUT THE PRIOR WRITTEN CONSENT OF FARLOW'S SCIENTIFIC GLASSBLOWING, INC.

UNLESS OTHERWISE SPECIFIED DIMENSIONS ARE IN INCHES
 TOLERANCES
 DECIMAL .XX ± .020 ± 0°-2"
 .XXX ± .010
 INTERPRET DIM AND TOL PER ASME Y14.5M - 1982