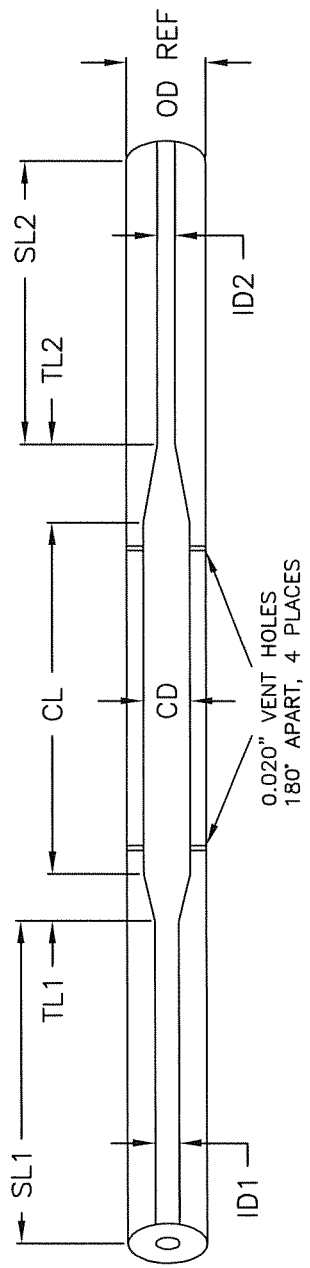


REVISIONS				
NO	REV	DESCRIPTION	DATE	APPROVED
00	A1	STANDARD MOLD	1-11-06	EH
01	A1	STANDARD FREE BLOWN MOLD	1-16-06	EH
02	A2	REF OD, FLR PRXL and DSTL	1-23-06	EH



CD	$\pm 0.0005$ "	$\pm 0.0127$ mm	SL2	$\pm 0.100$ "	$\pm 2.54$ mm
CL	$\pm 0.010$ "	$\pm 0.254$ mm	ID1	$\pm 0.0005$ "	$\pm 0.0127$ mm
TL1	$\pm 0.010$ "	$\pm 0.254$ mm	ID2	$\pm 0.0005$ "	$\pm 0.0127$ mm
TL2	$\pm 0.010$ "	$\pm 0.254$ mm	OD	REFERENCE	REFERENCE
SL1	$\pm 0.100$ "	$\pm 2.54$ mm	VENT HOLES Y N		
FLARE PROXIMAL Y N			FLARE DISTAL Y N		
LABEL AS: _____			VENT HOLES Y N		

NO.	PART NAME	REQD MATERIAL
	FARLOW'S SCIENTIFIC GLASSBLOWING, INC.	
	962 Golden Gate Ter. #B GRASS VALLEY, CA 95945	
	OFFICE(S) 30477-5513	
TITLE FSG MOLDS		
STANDARD FREE BLOWN MOLD		
SIZE	FSCM NO.	DWG. NO.
A	CAT P51-0001-01	STD
SCALE	1:1	WEIGHT
		SHEET

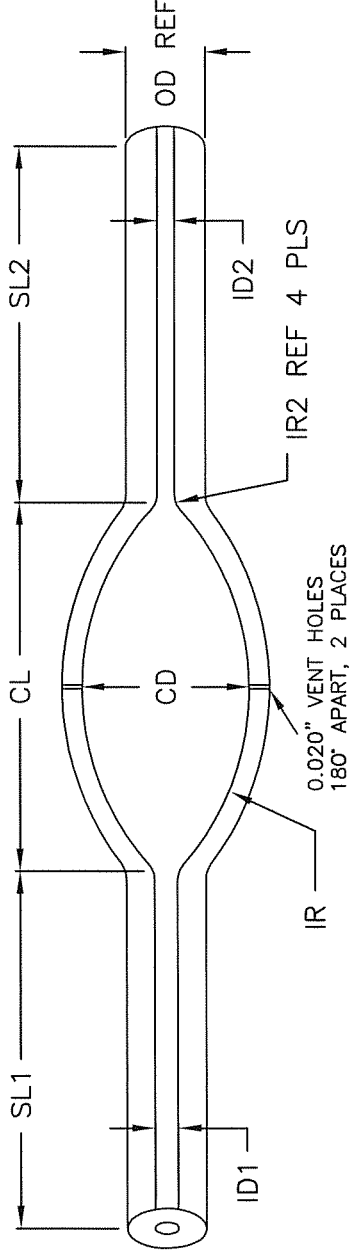
DRAWN BY: ERIC HASSUR 1-13-06  
 CHECKED BY:  
 FSG #:  
 PO #:  
 Date:

NOTES, UNLESS OTHERWISE SPECIFIED:  
 1. BREAK AND DEBUR ALL SHARP EDGES  
 2. MATERIAL: BOROSILICATE

UNLESS OTHERWISE SPECIFIED DIMENSIONS ARE IN INCHES  
 TOLERANCES  
 DECIMAL  $\pm .020$   
 ANGULAR  $\pm 0'-2"$   
 INTERPRET DIM AND TOL PER ASME Y14.5M - 1982

**CONFIDENTIAL**  
 THIS DOCUMENT SHALL NOT BE DUPLICATED, USED FOR ANY PURPOSE OTHER THAN FOR WHICH PROVIDED OR DISCLOSED, IN WHOLE OR IN PART, WITHOUT THE PRIOR WRITTEN CONSENT OF FARLOW'S SCIENTIFIC GLASSBLOWING, INC.

REVISIONS				
NO	REV	DESCRIPTION	DATE	APPROVED
00				
01	A1	ELLIPTICAL MOLD	1-13-06	EH
02	A2	ADDED IR2 REF 4 PLS REF OD, FLARE PRXL and DISTL	1-23-06	EH



DIMENSIONS AND TOLERANCES					
CD	$\pm 0.001$ "	$\pm 0.0254$ mm	SL2	$\pm 0.100$ "	$\pm 2.54$ mm
CL	$\pm 0.010$ "	$\pm 0.254$ mm	ID1	$\pm 0.0005$ "	$\pm 0.0127$ mm
IR	$\pm 0.001$ "	$\pm 0.0254$ mm	ID2	$\pm 0.0005$ "	$\pm 0.0127$ mm
SL1	$\pm 0.100$ "	$\pm 2.54$ mm	OD	REFERENCE	REFERENCE
FLARE PROXIMAL Y N		FLARE DISTAL Y N			
VENT HOLES Y-N		LABEL AS:			

NO.	PART NAME	REQD MATERIAL
	FARLOW'S SCIENTIFIC GLASSBLOWING, INC.	962 Golden Gate Ter. #B GRASS VALLEY, CA 95945 OFFICE(530)477-5513
TITLE FSG MOLDS ELLIPTICAL MOLD		
SIZE	FSCM NO.	DWG. NO.
A		CAT P51-0004-01 ELLIP A2
SCALE	1:1	WEIGHT SHEET

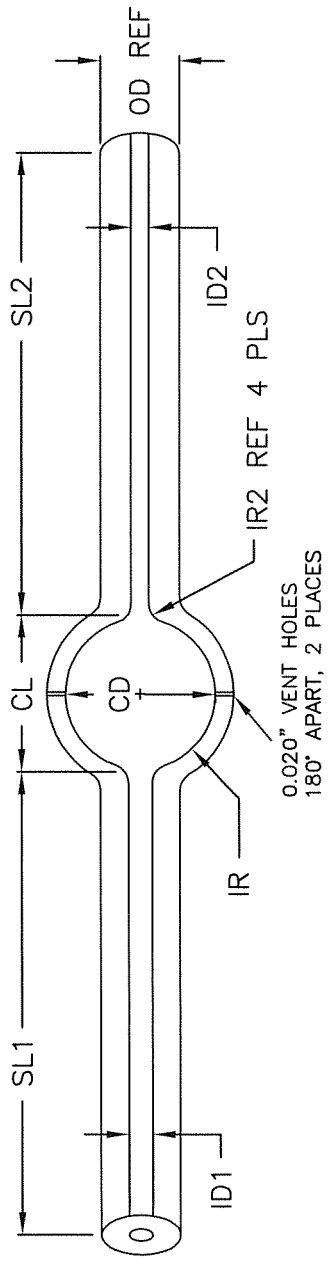
DRAWN BY: ERIC HASSUR 1-13-06  
 CHECKED BY:  
 FSG #:  
 PO #:  
 Date:

NOTES, UNLESS OTHERWISE SPECIFIED:  
 1. BREAK AND DEBUR ALL SHARP EDGES  
 2. MATERIAL: BOROSILICATE

UNLESS OTHERWISE SPECIFIED DIMENSIONS ARE IN INCHES  
 DECIMAL TOLERANCES ANGULAR  
 .XX  $\pm .020$   $\pm 0^{\circ}-2'$   
 .XXX  $\pm .010$   
 INTERPRET DIM AND TOL PER ASME Y14.5M - 1982

**CONFIDENTIAL**  
 THIS DOCUMENT SHALL NOT BE DUPLICATED, USED FOR ANY PURPOSE OTHER THAN FOR WHICH PROVIDED OR DISCLOSED, IN WHOLE OR IN PART, WITHOUT THE PRIOR WRITTEN CONSENT OF FARLOW'S SCIENTIFIC GLASSBLOWING, INC.

REVISIONS				
NO	REV	DESCRIPTION	DATE	APPROVED
00	A1	ROUND MOLD REF 4 PLS	1-13-06	EH
01	A2	ADDED IR2 REF 4 PLS	1-23-06	EH
02	A2	REF OD, FLARE PRXL and DSTL	1-23-06	EH



CD	±0.001"	±0.0254mm	SL2	±0.100"	±2.54mm
CL	±0.010"	±0.254mm	ID1	±0.0005"	±0.0127mm
IR	±0.001"	±0.0254mm	ID2	±0.0005"	±0.0127mm
SL1	±0.100"	±2.54mm	OD	REFERENCE	REFERENCE
FLARE PROXIMAL Y N		FLARE DISTAL Y N			
VENT HOLES Y-N		LABEL AS: _____			

NO.	PART NAME	REQD	MATERIAL
	FARLOW'S SCIENTIFIC GLASSBLOWING, INC.		962 Golden Gate Ter. #B GRASS VALLEY CA 95945 OFFICE(530)477-5513
TITLE FSG MOLDS ROUND MOLD			
SIZE A	FSCM NO.	DWG. NO.	REV. A2
SCALE 1:1	WEIGHT	CAT P51-0003-01	ROUND SHEET

DRAWN BY: ERIC HASSUR 1-13-06  
 CHECKED BY:

FSG #:  
 PO #:  
 Date:

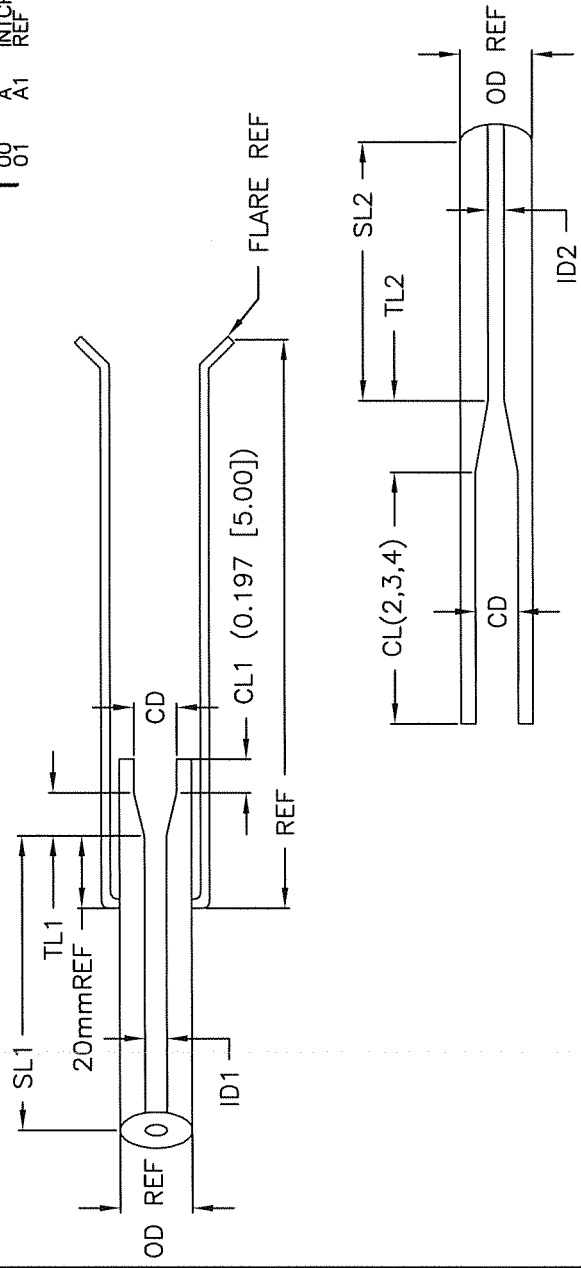
NOTES, UNLESS OTHERWISE SPECIFIED:  
 1. BREAK AND DEBUR ALL SHARP EDGES  
 2. MATERIAL: BOROSILICATE

**CONFIDENTIAL**  
 THIS DOCUMENT SHALL NOT BE DUPLICATED, USED FOR ANY PURPOSE OTHER THAN FOR WHICH PROVIDED OR DISCLOSED, IN WHOLE OR IN PART, WITHOUT THE PRIOR WRITTEN CONSENT OF FARLOW'S SCIENTIFIC GLASSBLOWING, INC.

UNLESS OTHERWISE SPECIFIED DIMENSIONS ARE IN INCHES  
 TOLERANCES  
 DECIMAL .XX ± .020 ± 0'-Z  
 ANGULAR .XXX ± .010  
 INTERPRET DIM AND TOL PER ASME Y14.5M - 1992



REVISIONS				
NO	REV	DESCRIPTION	DATE	APPROVED
00	A1	INTCHG. WRK LEN SPLIT MOLD REF OD, FLARE PRXL and DSTL	1-17-06	EH
01	A1	REF OD, FLARE PRXL and DSTL	1-23-06	EH



DIMENSIONS AND TOLERANCES

CD	±0.0005"	±0.0127mm	SL2	±0.100"	±2.54mm
TL1	±0.010"	±0.254mm	ID1	±0.0005"	±0.0127mm
TL2	±0.010"	±0.254mm	ID2	±0.0005"	±0.0127mm
SL1	±0.100"	±2.54mm	OD	REFERENCE	REFERENCE
CL2	±0.010"	±0.254mm	FLARE PROXIMAL	Y N	
CL3	±0.010"	±0.254mm	FLARE DISTAL	Y N	
CL4	±0.010"	±0.254mm	LABEL AS:		

NOTES, UNLESS OTHERWISE SPECIFIED:  
 1. BREAK AND DEBUR ALL SHARP EDGES  
 2. MATERIAL: BOROSILICATE

CONFIDENTIAL

THIS DOCUMENT SHALL NOT BE DUPLICATED, USED FOR ANY PURPOSE OTHER THAN FOR WHICH PROVIDED OR DISCLOSED, IN WHOLE OR IN PART, WITHOUT THE PRIOR WRITTEN CONSENT OF FARLOW'S SCIENTIFIC GLASSBLOWING, INC.

UNLESS OTHERWISE SPECIFIED DIMENSIONS ARE IN INCHES  
 TOLERANCES  
 DECIMAL .XX ± .020 ± 0°-2"  
 ANGULAR .XXX ± .010 INTERPRET DIM AND TOL PER ASME Y14.5M - 1982

DRAWN BY: ERIC HASSUR 1-17-06  
 CHECKED BY:

FSG #:  
 PO #:  
 Date:

NO.	PART NAME	REQD MATERIAL
FARLOW'S SCIENTIFIC GLASSBLOWING, INC. 962 Golden Gate Ter. #B GRASS VALLEY, CA 95945 OFFICE(530)477-5513		
TITLE FSG MOLDS INTERCHANGEABLE WORKING LENGTH SPLIT MOLD		
SIZE A	FSCM NO.	DWG. NO. CAT P51-0005-01 INTCHG WRK A1
SCALE 1:1	WEIGHT	SHEET